

ATS

SURGICAL TABLE



INTUITIVE MOTION
UNYIELDING STABILITY

ATS

Intuitive Motion

Built to the foremost standard of quality, with intuition and stability in mind. The ATS Surgical table exceeds the standards in patient positioning. The ATS surgical table features a C-arm compatible table top with up to a 1000 lb lift capacity. The ATS is equipped with a 180 degree rotating tabletop to maximize patient imaging access. The horizontal movement feature maximizes efficiency in patient imaging. The ATS can also be adjusted to a low height of 24 inches off from the floor to allow the surgeon better access while sitting.

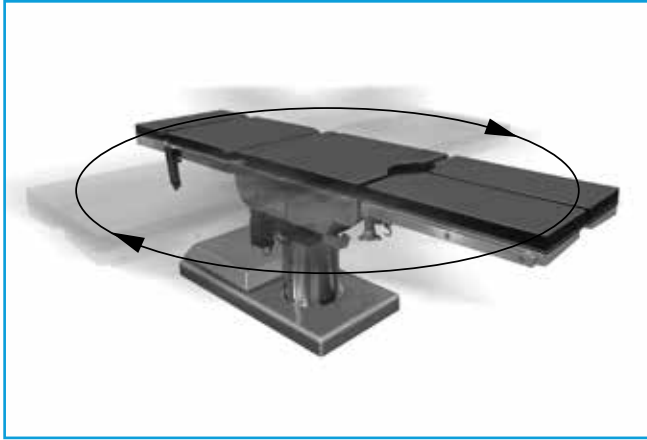
Safety

The ATS Surgical table is mobile with 4 anti-static castors. The floor lock system braces the table in place with unyielding stability. A battery backup system can continue to power the table for hours in case of a power failure. The hand controller is outfitted with safety locks to avoid unintentional table movement. Return to level can be done quickly and efficiently with the touch of a button.

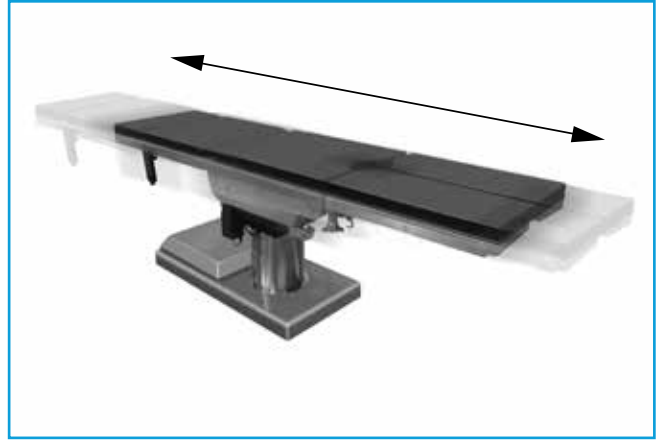


Built To The Foremost Standard Of Quality

WITH INTUITION AND STABILITY IN MIND.



180° Rotation



Horizontal Slide

- Silent electro-hydraulic movements
- Kidney Bridge
- Electronic control with safety lock
- Mobile anti-static castors with floor lock
- Horizontal Slide
- 180 degree rotation
- "Flex" positioning
- Easy access to electro-hydraulic system for service
- Optional battery backup
- Optional auto-reset / level function
- Optional wireless remote control



ATS TECHNICAL SPECIFICATIONS:

Bed Size	2150x500mm
Height	600-950mm
Reverse Trendelenburg	antersion $\geq 30^\circ$, retroversion $\geq 30^\circ$
Title Left/Right	leftoblique $\geq 15^\circ$, rightoblique $\geq 15^\circ$
Chest Plate Adjustment	$\geq 25^\circ / \geq 35^\circ$
Back Plate Adjustment	$+75^\circ \sim -20^\circ$
Head Plate Adjustment	$\geq 40^\circ / \geq 90^\circ$
Leg Plate Adjustment	$\geq 90^\circ$
Leg Plate Angle	0~ 90°
Rotation	0~ 180°
Longitudinal Shift	≥ 350 mm
Wired Remote Control	standard
Four-level Position Reset Function	standard
Emergency Power Supply	standard



Standard Accessories of ATS

Anesthesia Frame	1	Waist Supporters	2
Shoulder Supporter	2	Square Clamp II	2
Arm Rest	2	Square Clamp I	5
Leg-Crutches	2		